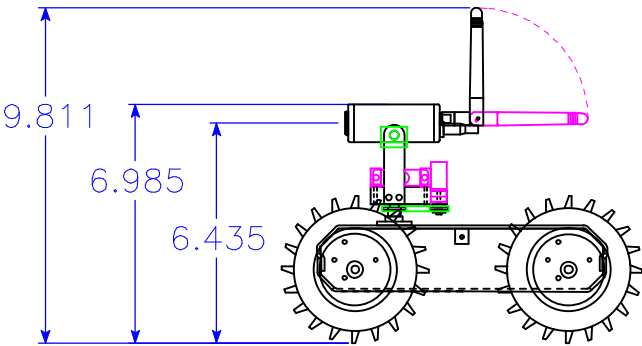
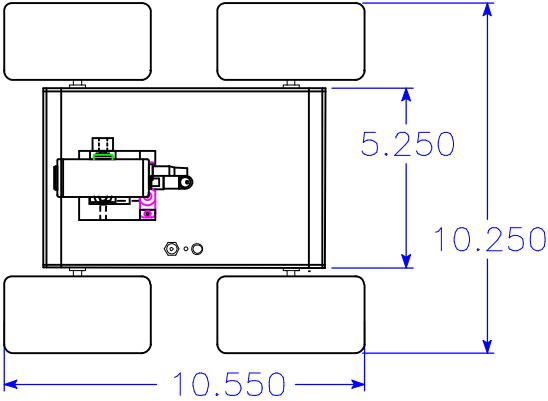


# MMP-5 Inspection

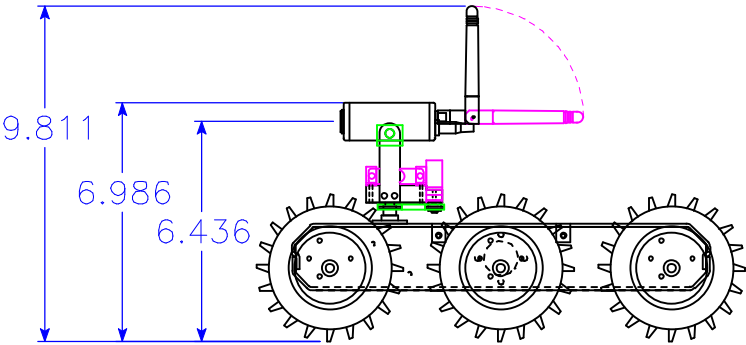


Side

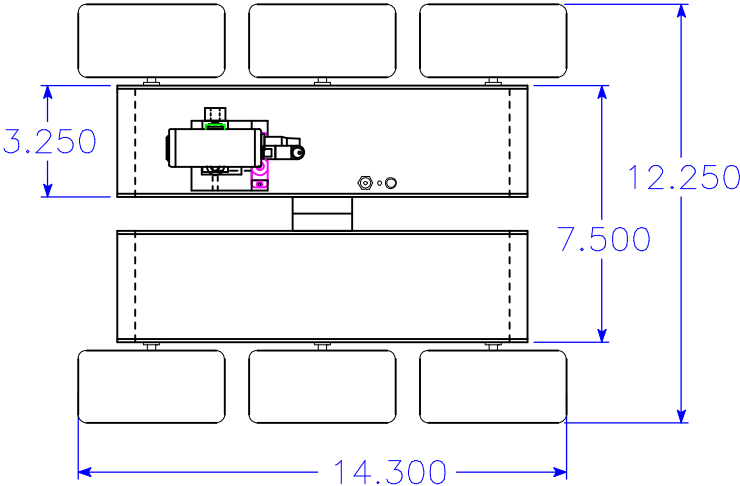


Top

# MMP-8 Inspection



Side



Top